

SCC 1000

Static Shielding Bag ~ Metal-In

This transparent, metallized static shield bag provides a static safe environment for sensitive electronic devices. Four layer construction. Polyester dielectric and metal layer provide Faraday effect shielding of ESD and fields. Tribocharging is minimized by the specially processed polyethylene. Flat and zipper closure styles. Coded for QC traceability.

Standards

Meets the requirements of MIL-PRF-81705 Type III, EIA 541, EIA 625, MIL-HDBK-263, MIL-STD-1686, and EOS/ESD Standards.

Specifications

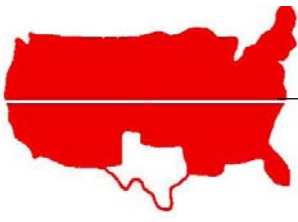
Electrical Properties:		Typical Values	
Surface Resistivity / Resistance	ASTM D257	or	ANSI/ESD STM11.11
Interior	<10 ¹² ohms/square	or	<10 ¹¹ ohms
Exterior	<10 ¹² ohms/square	or	<10 ¹¹ ohms
Metal	100 ohms		
Static Shielding	< 30 volts		MIL-PRF-81705, EIA 541
Static Shielding	< 10 nJ		EOS/ESD S11.31
Static Decay	< 0.05 seconds		MIL-PRF-81705, FTMS 101 MTH 4046
Charge Generation			
Teflon	0.09 nC/sq.in.		Modified Inclined Plane
Quartz	0.01 nC/sq.in.		
Physical Properties:			
Tensile Strength	>25 lbs		ASTM D 882
Seam Strength	Pass		MIL-PRF-81705
Light Transmission	40 %		Tobias
Heat Sealing Conditions			
Temperature	250 F - 375 F		
Time	0.5 - 3.5 seconds		
Pressure	30 - 70 PSI		
Thickness	3.1 mils		SCC 008
Outgassing	Pass		ASTM E595
Non-corrosive	Pass		FTMS 101 MTH 3005



SCC 1000 with Open Top

Material Structure

SCC 1000 open top and ZipTop static shielding bags are manufactured from industry approved Polyester/Metal/Polyethylene laminates. The polyester dielectric in concert with the metal layer provide Faraday Effect shielding of an Electrostatic Discharge (ESD). The metal layer prevents the penetration of damaging electrostatic fields. Tribocharging is minimized by the specially processed polyethylene.



SCC 1000

SCC 1000 ZipTop

Open Top Static Shielding Bag ~ Metal-In

Recloseable Static Shielding Bag ~ Metal-In

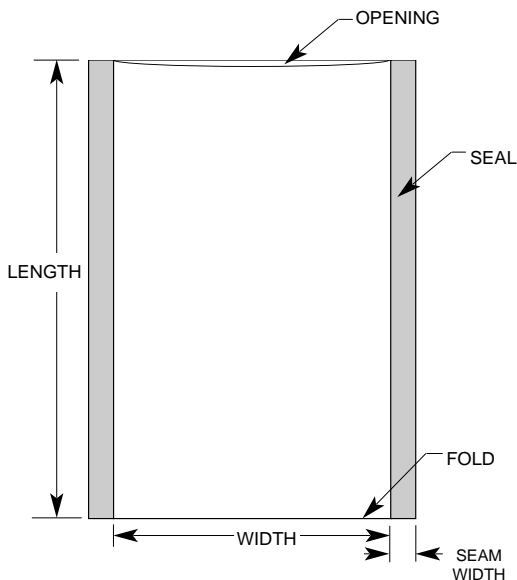
W"x L"	W"x L"	W"x L"
2 x 3	7 x 8	12 x 18
2 x 4	7 x 10	12 x 24
2 x 6	7 x 11	12 x 25
3 x 5	7 x 15	12 x 30
4 x 4	7 x 16	14 x 16
4 x 6	8 x 8	14 x 18
4 x 8	8 x 10	14 x 20
4 x 24	8 x 12	14 x 30
4 x 26	8 x 14	15 x 18
4 x 30	8 x 16	16 x 18
5 x 6	8 x 18	16 x 20
5 x 7	8 x 24	16 x 24
5 x 8	8 x 30	16 x 30
5 x 10	9 x 12	18 x 18
6 x 8	10 x 12	18 x 20
6 x 9	10 x 14	18 x 24
6 x 10	10 x 16	18 x 30
6 x 12	10 x 18	20 x 20
6 x 14	10 x 24	20 x 24
6 x 16	10 x 26	22 x 24
6 x 18	10 x 30	24 x 24
6 x 24	11 x 14	24 x 30
6 x 26	11 x 15	24 x 36
6 x 30	12 x 12	30 x 24
6.5 x 10	12 x 14	
6.5 x 16	12 x 16	

W"x L"	W" x L"	W" x L"
2 x 3	6 x 24	11 x 15
3 x 3	6 x 30	12 x 12
3 x 5	7 x 15	12 x 16
4 x 4	8 x 8	12 x 18
4 x 6	8 x 10	14 x 18
4 x 8	8 x 12	15 x 18
4 x 24	9 x 12	16 x 24
4 x 30	10 x 10	18 x 18
5 x 8	10 x 12	18 x 24
5 x 10	10 x 14	20 x 24
6 x 8	10 x 24	24 x 24
6 x 10	10 x 30	

Width is measured from inside seam to inside seam.
 Length is measured from the top edge to the bottom fold.
 Opening is in the "width" dimension.
 Custom bag sizes, custom printing, and custom hot stamping are available.
 Most sizes are packed 100 per case.
 Small sizes are packed 1000 or 500 per case.

Features and Specifications subject to change without notice

SCC 1000 Open Top



SCC 1000 ZipTop

