



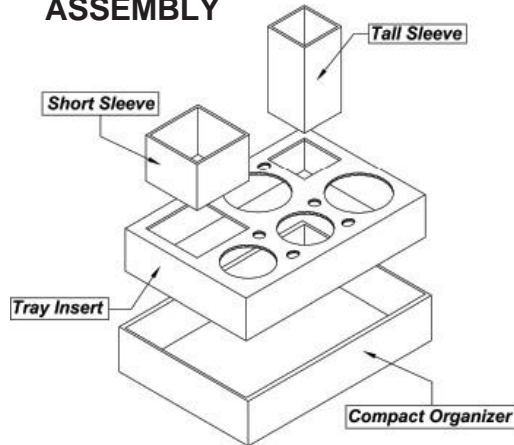
MADE IN AMERICA



Description

- Compact, convenient size for organizing and standardizing tool and bottle placement at the workstation
- Aesthetically improves the appearance of the work area
- Includes openings for bottles, holes for hand tools, swabs and miscellaneous items
- OD Dimension: 11 1/4" x 8" x 2 1/4"
- Easily assembled
- Marked with ESD Protective symbol per ANSI/ESD S541
- Custom configurations available
- Static Dissipative surface 10E6 to 10E8 ohms per ANSI/ESD S11.11 minimizing the potential of rapid discharge or sparking
- Impregnated Corrugated material - superior material with greater durability than painted material
- Made from 100% Recycled material and is 100% recyclable
- Made in America

ASSEMBLY



Assembly Instructions:

1. Fold up organizer tray
2. Fold up the insert and place into the tray
3. Fold up the tall and short sleeve and place into the insert as shown

"It should be understood that any object, item, material or person could be a source of static electricity in the work environment. Removal of unnecessary nonconductors, replacing nonconductive materials with dissipative or conductive materials and grounding all conductors are the principle methods of controlling static electricity in the workplace, regardless of the activity." [ESD Handbook ESD TR20.20-2008 section 2.4 Sources of Static Electricity]

COMPACT ORGANIZER, CORRUGATED

TEXAS TECHNOLOGIES, INC.

www.texastechnologies.com

E-Mail: info@texastechnologies.com

TEXAS TECHNOLOGIES, INC.

512.267.0100

CEDAR PARK, TEXAS 78613

DRAWING NUMBER

47555

DATE

April
2010